

DEFIANT SSD

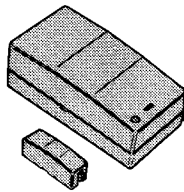
SECURITY BY **Linear**

DOOR/WINDOW SENSOR

For Use with DEFIANT SSD Security Console

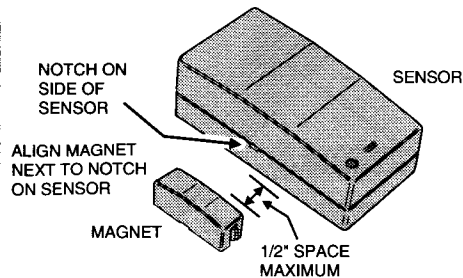
Installation Instructions

Help Line 1-800-528-4454



1. SENSOR & MAGNET DETAIL

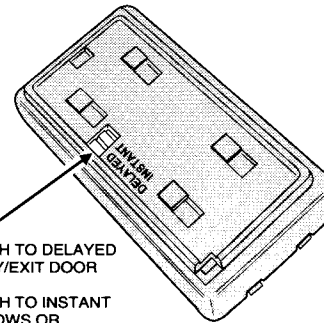
SENSOR HAS BUILT-IN SWITCH ON SIDE WITH NOTCH. MAGNET CAN ACTIVATE SWITCH UP TO 1/2" AWAY. WHEN MOUNTING SENSOR, ALIGN MAGNET TO NOTCH.



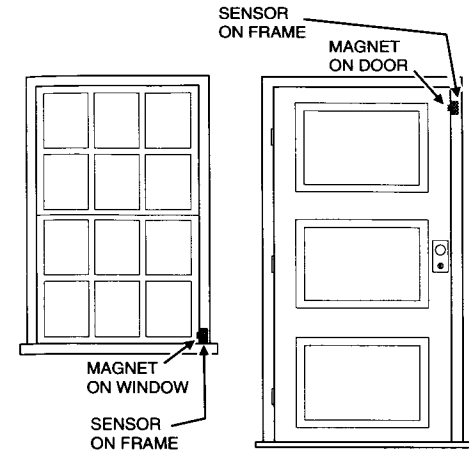
2. SET SENSOR SWITCH

SET SWITCH TO DELAYED FOR ENTRY/EXIT DOOR

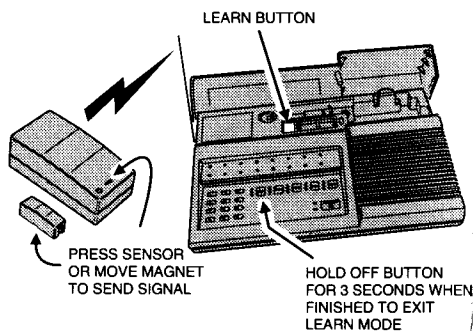
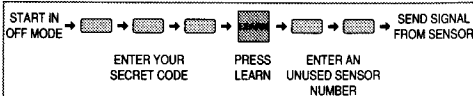
SET SWITCH TO INSTANT FOR WINDOWS OR NON-ENTRY DOORS



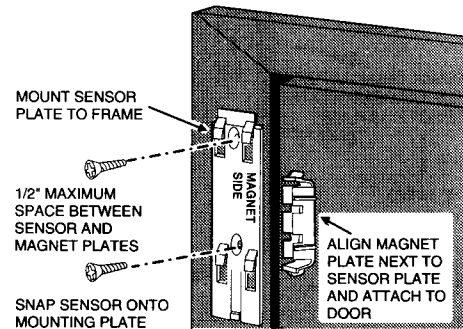
3. EXAMPLE SENSOR LOCATIONS



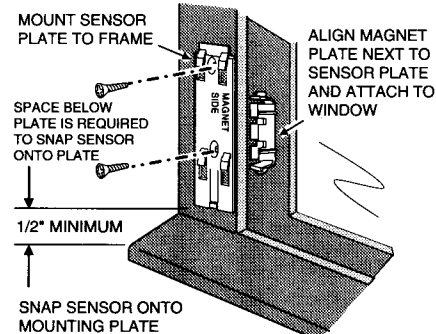
4. PROGRAM SENSOR INTO CONSOLE



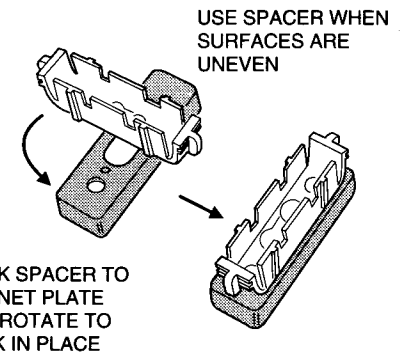
5. EXAMPLE SENSOR MOUNTING ON DOOR



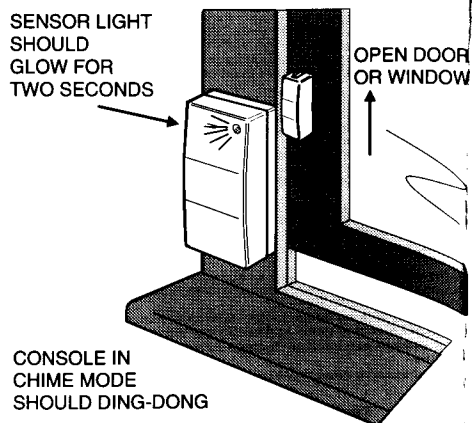
6. EXAMPLE SENSOR MOUNTING ON WINDOW



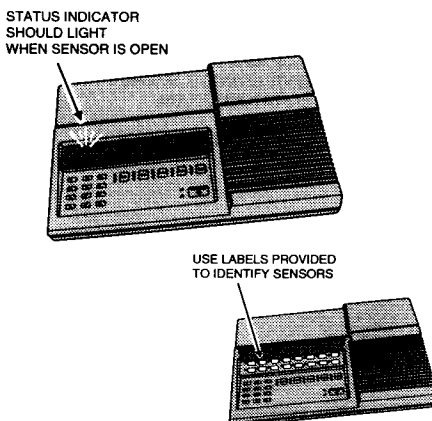
7. OPTIONAL MAGNET SPACER



8. TEST SENSOR

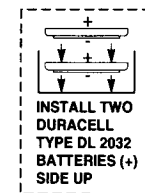
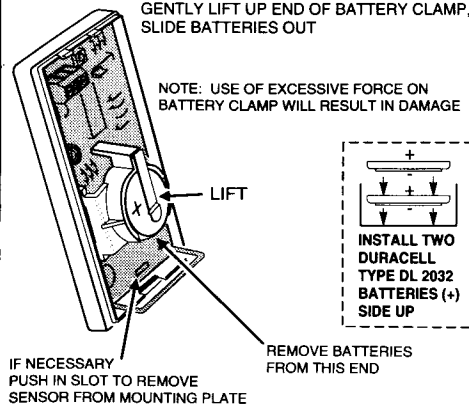


9. LABEL SENSORS



10. CHANGING BATTERIES

WHEN CONSOLE INDICATES A SENSOR LOW BATTERY, OPEN SENSOR CASE AND GENTLY LIFT UP END OF BATTERY CLAMP, SLIDE BATTERIES OUT



LINEAR LIMITED RETAIL WARRANTY

Linear Corporation (the Company) warrants to the original purchaser that products delivered hereunder will be free of defects in materials and workmanship for a period of twelve (12) months (unless the extended warranty is in effect) from the date of purchase. The Company within said period shall at its option, either repair or replace free of charge, any product or part thereof (except batteries), upon the Company's inspection, to be so defective, and will return the repaired or replaced product to the purchaser at the Company's expense. For warranty service and shipping instructions contact WEMA at the telephone number shown below. Devices must be sent at owner's expense and be accompanied with statement of defect and proof of purchase.

This warranty is conditioned on the following:

1. The Company must be notified within one year of purchase and have been given the opportunity of inspection by return of any alleged defective product free and clear of all liens and encumbrances to the Company or its distributor; and
 2. The product must not have been abused, misused or improperly maintained and/or repaired during such period; and
 3. Such defect has not been caused by corrosion or exposure to other than ordinary wear and tear.
- THE COMPANY MAKES NO OTHER WARRANTY OR REPRESENTATION OF ANY KIND WHATSOEVER INCLUDING ANY WARRANTY OF MERCHANTABILITY OR FITNESS FOR A PARTICULAR PURPOSE ARE HEREBY DISCLAIMED.**
- The Company's maximum liability hereunder is limited to the purchased price of the product. In no event shall the Company be liable for any consequential, indirect, incidental or special damages of any nature arising from the sale or use of the product, whether based in contract, tort, strict liability or otherwise. Note: Some states do not allow limitations on incidental or consequential damages or how long an implied warranty lasts, so that the above limitations may not fully apply. This warranty gives specific legal rights and you may also have other rights which may vary from state to state. Changes or modifications to the unit may void FCC compliance.

For Warranty Service Call:
WEMA 1-800-221-9362